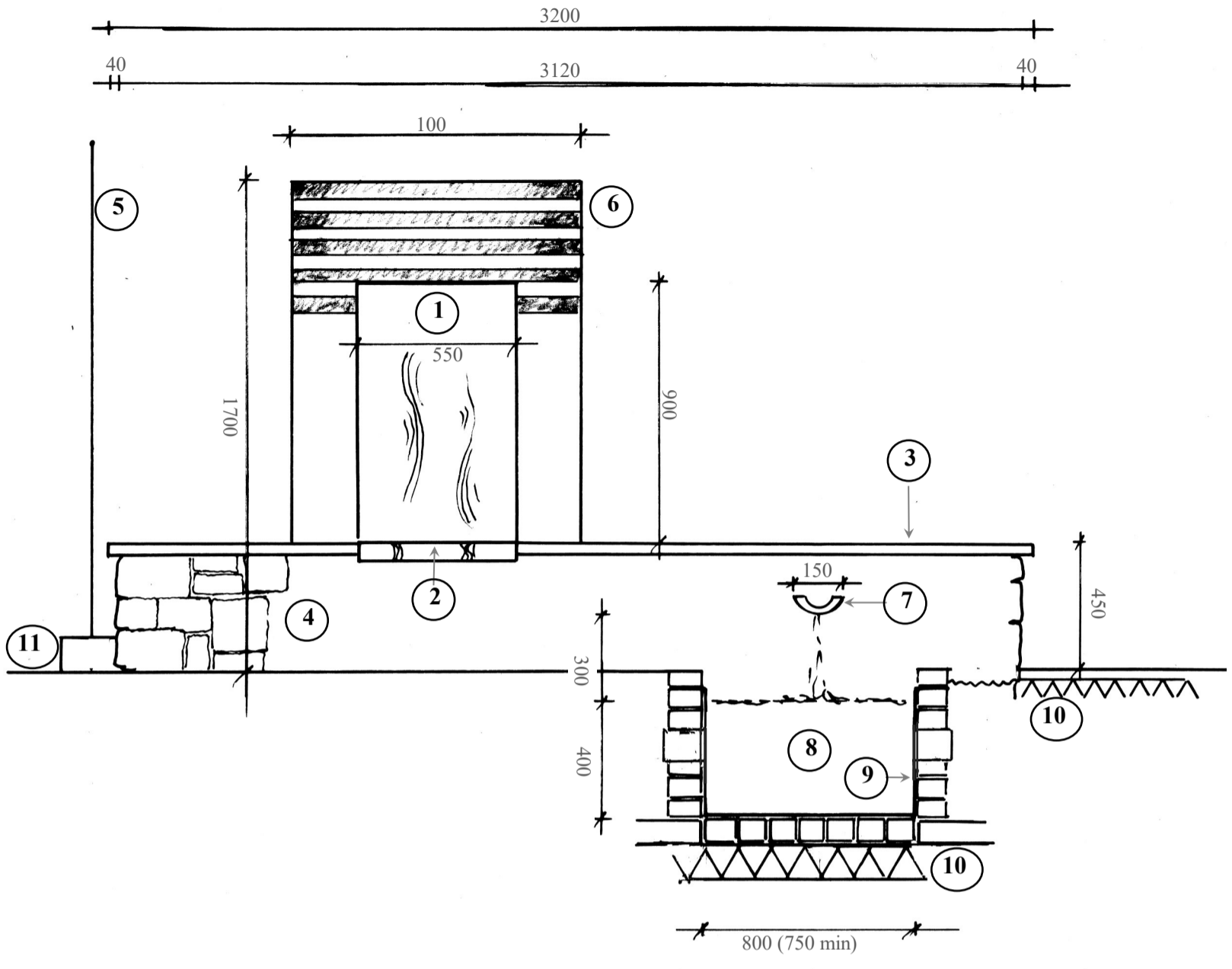
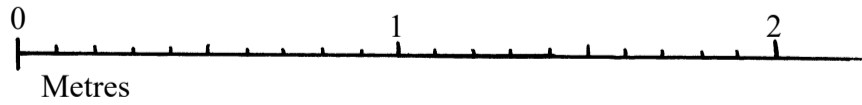


Front Elevation of Raised Bed, Water Feature and Seat



- Notes:
1. Seat back in Iroko, rounded top.
  2. Seat in Iroko, rounded end.
  3. Raj Green coping. See Dwg 11, note 3.
  4. Raised bed faced with cropped and mortared Purbeck Stone.
  5. Neighbours garage wall.
  6. Slatted Cedar trellis, see Dwg 12 note 6.
  7. Water Spout, see Dwg 11 note 7.
  8. Water reservoir.
  9. Black fiberglass waterproofing.
  10. Well consolidated hardcore.
  11. Garage footings.

Clients: XXXXX  
Drawing Title: 13 Section Through Raised Bed and Seat  
Scale: 1:20 @ A4 Date: XXXXX  
Drg. No.: 13  
Job No.: 1713 Revision No.:



<b>PIPPA PURNELL</b> GARDEN DESIGN	109 High Street, Thame, Oxon. OX9 3DZ
	pippa@ppgardendesign.co.uk
	07518 721120